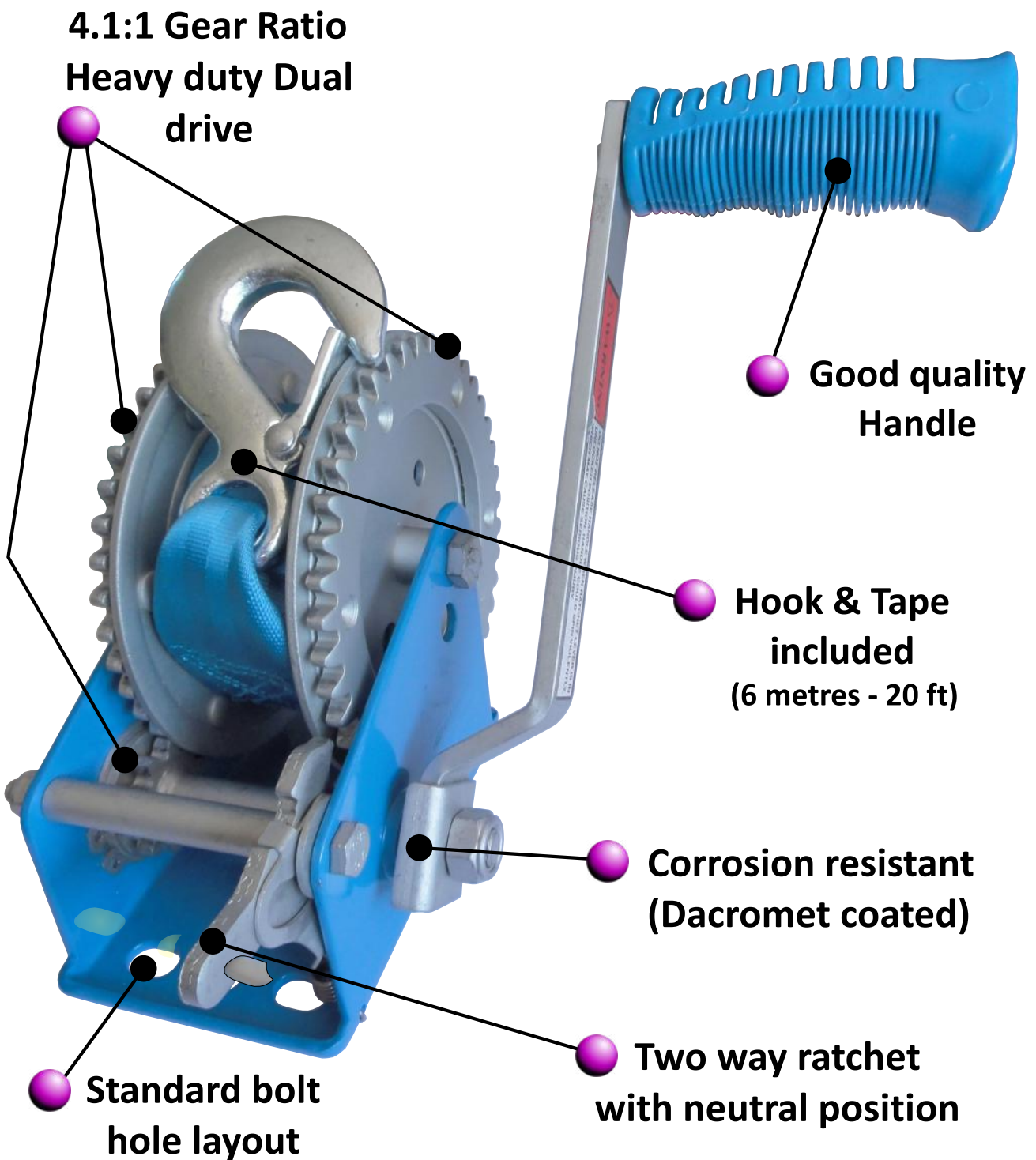


# ● Boat Trailer Winch

A good general purpose boat winch for most average size boats

**Capacity :- 905 Kg (2000 lbs)**



**4.1:1 Gear Ratio  
Heavy duty Dual  
drive**

**Good quality  
Handle**

**Hook & Tape  
included  
(6 metres - 20 ft)**

**Corrosion resistant  
(Dacromet coated)**

**Two way ratchet  
with neutral position**

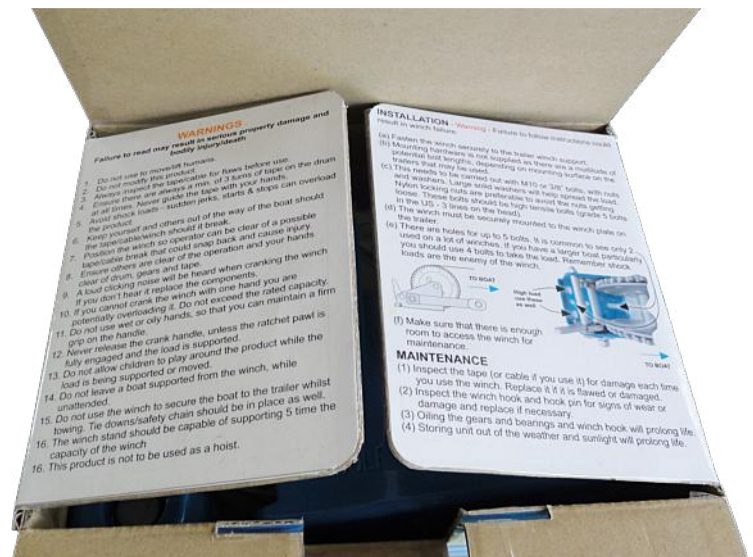
**Standard bolt  
hole layout**

## PACKAGING

The product comes in a robust pack, complete with handle.



This pack contains comprehensive instructions for installation and use





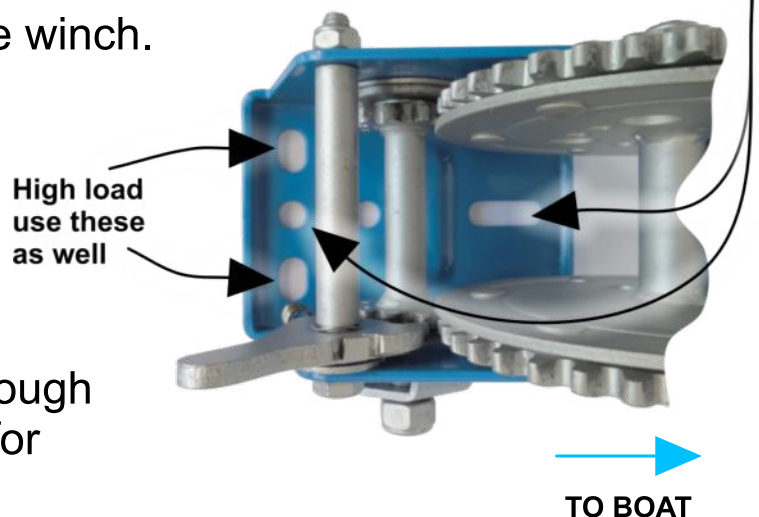
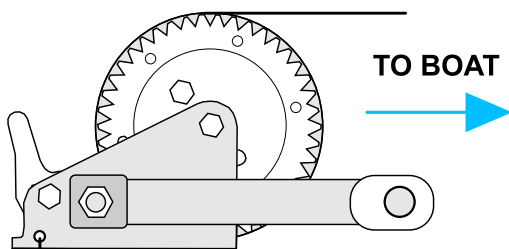
## WARNINGS

### **Failure to read may result in serious property damage and bodily injury/death**

1. Do not use to move/lift humans.
2. Do not modify this product.
3. Always inspect the tape/cable for flaws before use.
4. Ensure there are always a min. of 3 turns of tape on the drum at all times. Never guide the tape with your hands.
5. Avoid shock loads - sudden jerks, starts & stops can overload the product.
6. Keep yourself and others out of the way of the path of the boat in case the tape/cable/winch breaks.
7. Position the winch so operator can be clear of a possible tape/cable break that could snap back and cause injury.
8. Ensure others are clear of the operation and your hands clear of drum, gears and tape.
9. A loud clicking noise will be heard when cranking the winch. If you don't hear it replace the components.
10. If you cannot crank the winch with one hand only you are potentially overloading it. Do not exceed the rated capacity.
11. Do not use wet or oily hands, that prevents you from maintaining a firm grip on the handle.
12. Never release the crank handle, unless the ratchet pawl is fully engaged and the load is supported.
13. Do not allow children to play around the product while the load is being supported or moved.
14. Do not leave a boat supported by the winch, while unattended.
15. Do not use the winch, only, to secure the boat to the trailer whilst towing. Tie downs/safety chain must also be used.
16. The winch stand should be capable of supporting 5 times the capacity of the winch.
17. This product is not to be used as a hoist.

**● INSTALLATION** - **Warning** - Failure to follow instructions could result in winch failure.

- (a) Fasten the winch securely to the trailer winch support.
- (b) Mounting hardware is not supplied as there are a multitude of potential bolt lengths, depending on mounting surface on the trailers that may be used.
- (c) This needs to be carried out with M10 or 3/8" bolts, with nuts and washers. Large solid washers will help spread the load. Nylon locking nuts are preferable to avoid the nuts getting loose. These bolts should be high tensile bolts (grade 5 bolts in the US - 3 lines on the head).
- (d) The winch must be securely mounted to the winch plate on the trailer.
- (e) There are holes for up to 5 bolts. It is common to see only 2 used on a lot of winches. If you have a larger boat particularly you should use 4 bolts to take the load. Remember shock loads are the enemy of the winch.



- (f) Make sure that there is enough room to access the winch for maintenance.

## MAINTENANCE

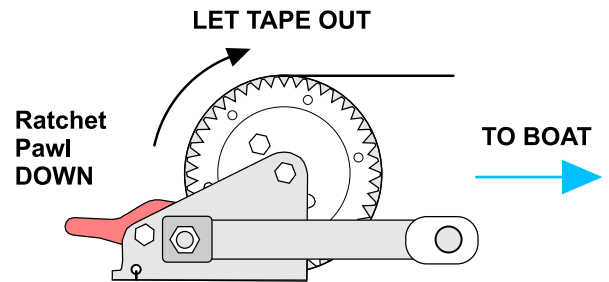
- (1) Inspect the tape (or cable if you use it) for damage each time you use the winch. Replace it if it is flawed or damaged.
- (2) Inspect the winch hook and hook pin for signs of wear or damage and replace if necessary.
- (3) Oiling the gears and bearings and winch hook will prolong life.
- (4) Storing unit out of the weather and sunlight will prolong life.

## OPERATING INSTRUCTIONS

Note:- product can also be used with the L & R Boat Latch for easy launching & retrieving

### To Let the Boat Off the Trailer

- (1) Make sure everything is out of the way including children.
- (2) Be sure you have no loose clothing that can get tangled in the operation.
- (3) Holding the Handle firmly and by slightly moving it you will be able to move the Ratchet Pawl (see diagram) to the **DOWN** position, and slowly let out the tape.
- (4) If you must stop or pause during the operation, move the Ratchet Pawl forward to the **UP** position so that it will hold the load. **Do not let go of the winch handle until you are sure the Pawl is holding the load.**

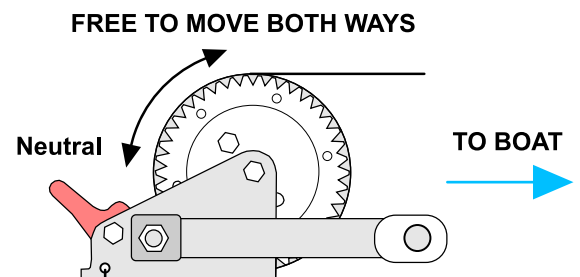


### To Let some Tape In or Out

When the Ratchet Pawl (see diagram) is in the Neutral (middle) position the drum will spin freely in both directions, letting tape in or out.

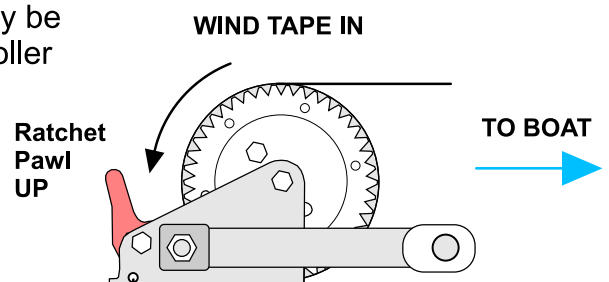
#### Warning

Do not release handle when ratchet lever is in the unlocked position.  
Handle could spin violently, which may cause serious injury.



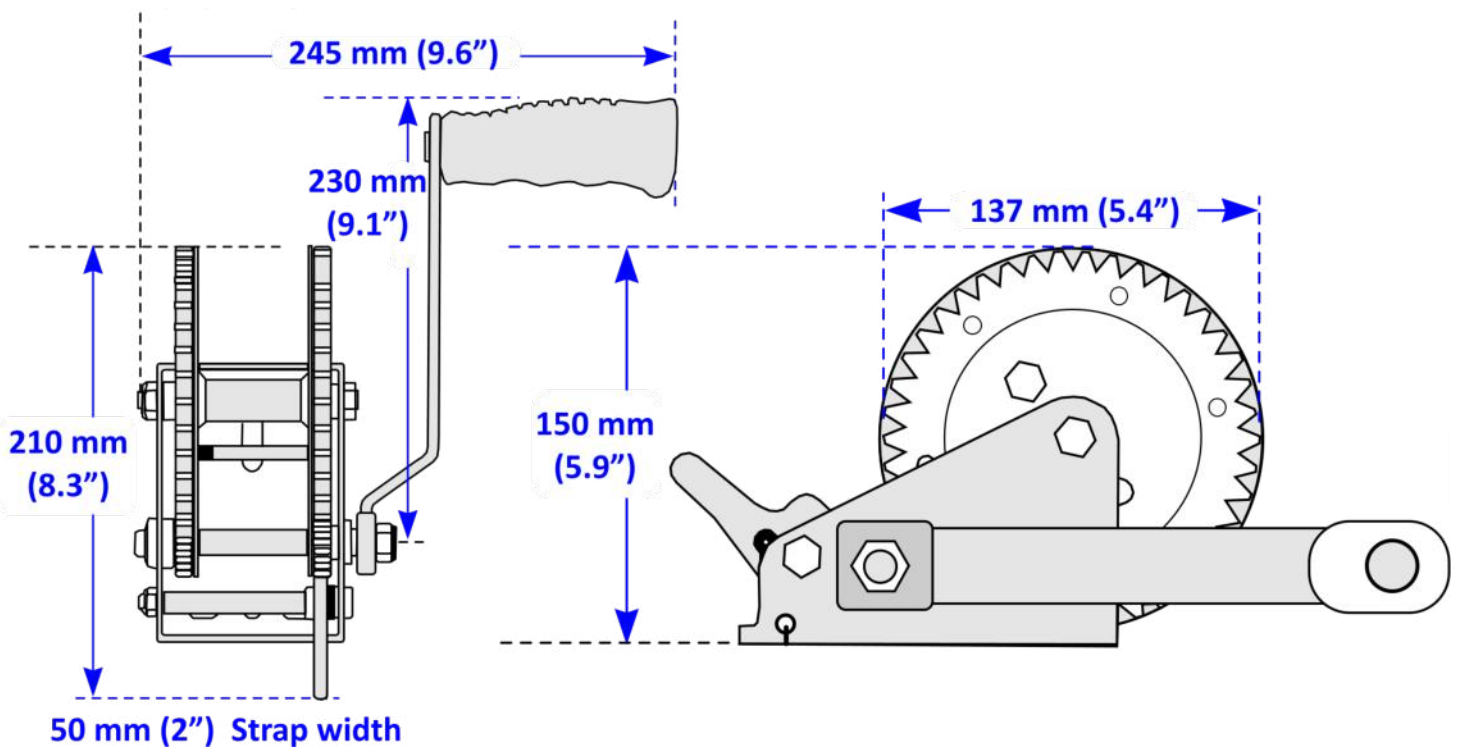
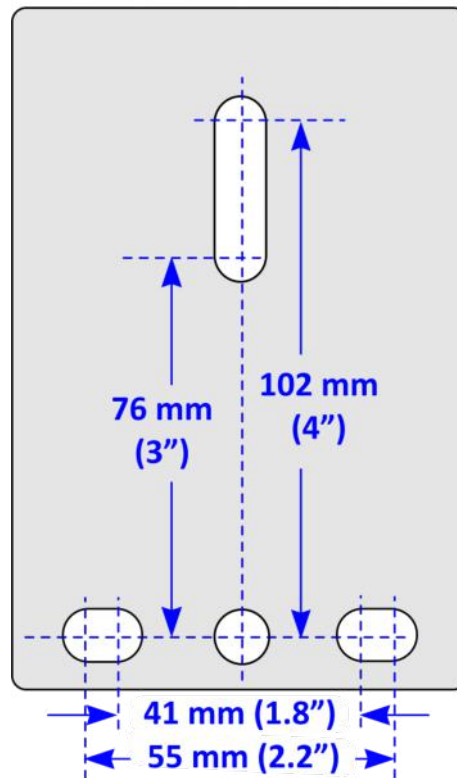
### Pull Boat onto Trailer

- (1) The Ratchet Pawl should be in the **UP** position.
- (2) Slowly wind the tape onto the drum.
- (3) You should hear a loud clicking noise when cranking the winch. If not something is wrong. Parts may need replacing.
- (4) Be sure that the tape is winding onto the drum centrally.
- (5) If you cannot crank the winch with one hand then you may be overloading it. Stop and check for obstructions or trailer roller misalignment.
- (6) If you stop - be sure the Pawl is holding the load.
- (7) Always remember to use the tie down straps/safety chain to finally fasten the boat for road travel.  
The winch alone is not enough security for road travel.



## SIZE DETAILS

Uses standard bolt hole layout



## What Strength Winch do You Need for Your Boat ?

There is no exact answer, but we can get close enough for most purposes.

**The Winch** - factors that effect winch strength are :-

- (1)\* Condition of the trailer - rollers or slides
- (2)\* Alignment of the rollers/slides
- (3) Incline of the boat ramp - drastic effect capacity

**A common rule of thumb is.....**

Winch Capacity = 1/2 boat weight

\* This can be stretched to 1/3 boat weight

if the trailer is in excellent condition - see (1) & (2)

Tested strength (tensile) of Aluminium Snare ..... = 2.3 Tonnes

Fibreglass Snare ..... = 4.7 Tonnes

Fibreglass Snare-HD

heavy duty version ..... = 7.5 Tonnes

Latch ..... = 5.4 Tonnes



National Association of  
Testing Authorities, Australia

So a boat weight of double these figures could be viewed as the capacity.

## Pack Details

**Pack Size:** (mm) H=171 W=150 L=225  
(inches) H= 6.7 W= 5.9 L= 8.9

**Pack Weight:** (Kgs) = 3.9  
(Lbs) = 8.6

Applies to product version - May 2013  
For more information :- [www.boatlatch.com](http://www.boatlatch.com)

Contact Us	Australia	International
Phone	08 8554 7214	+ (61) 8 8554 7214
Mob/Cell	0402 079 660	+(61) 402 079 660
Fax	08 8554 7207	+(61) 8 8554 7207
Skype	gd7214	
Email	boatlatch@internode.on.net	
By Post	Geoff Davis Release & Retrieve Boat Latch Pty Ltd "Fernbrook" Myponga, Adelaide, SA, 5202, Australia	

