



Patented

Maintenance & Spare Parts

May 2023
File:- Maintenance-6A

- 1** Maintenance - Alignment Page 2
- 2** Latch Grease & Assembly Page 4
- 3** Adjusting Latch Relative to the Snare Page 4
- 4** Product Numbers & Bar CodesPage 6
- 5** Latch Spare PartsPage 7

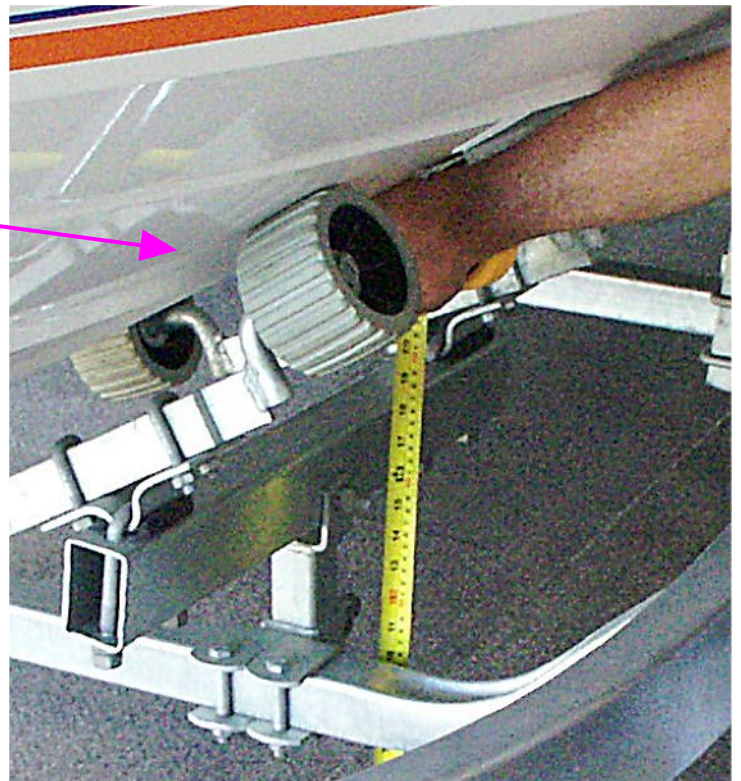
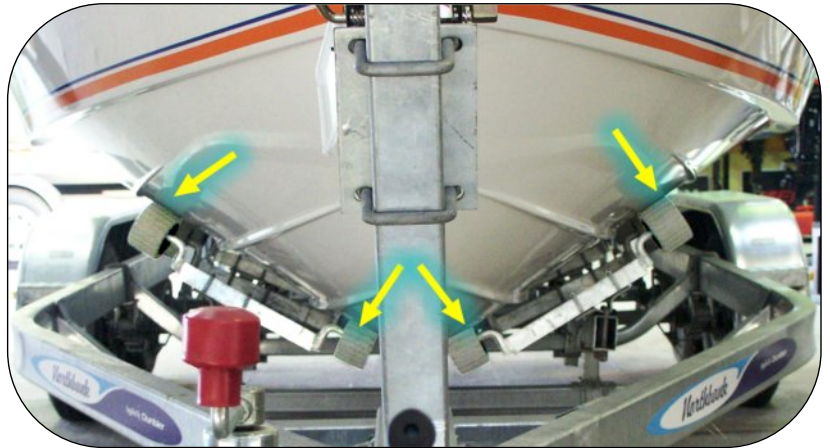
Contact Us	<table border="0" style="width: 100%;"> <tr> <td style="width: 50%;">Australia</td> <td style="width: 50%;">International</td> </tr> <tr> <td>Phone 08 8554 7214</td> <td>+ (61) 8 8554 7214</td> </tr> <tr> <td>Mob/Cell 0402 079 660</td> <td>+(61) 402 079 660</td> </tr> <tr> <td>Fax 08 8554 7207</td> <td>+(61) 8 8554 7207</td> </tr> <tr> <td>Skype geoffrey.c.davis</td> <td></td> </tr> <tr> <td>Email boatlatch@internode.on.net</td> <td></td> </tr> </table>	Australia	International	Phone 08 8554 7214	+ (61) 8 8554 7214	Mob/Cell 0402 079 660	+(61) 402 079 660	Fax 08 8554 7207	+(61) 8 8554 7207	Skype geoffrey.c.davis		Email boatlatch@internode.on.net		 Patented	
Australia	International														
Phone 08 8554 7214	+ (61) 8 8554 7214														
Mob/Cell 0402 079 660	+(61) 402 079 660														
Fax 08 8554 7207	+(61) 8 8554 7207														
Skype geoffrey.c.davis															
Email boatlatch@internode.on.net															
		For more information:- www.boatlatch.com													

1 Alignment

Every now and again it is worth just doing a quick visual check to make sure your rollers/slide on your trailer have not moved out of alignment.

Aligning the Trailer Rollers/Slides

An important issue even for those without an L & R™ unit. The boat moves more easily on the trailer when it is properly aligned. The concept is..... align rollers/slides so that the centreline of the boat and trailer are the same - the boat should head for the centre of the Winch reel. The end result also will be that the boat will require less force to move it on or off the trailer.



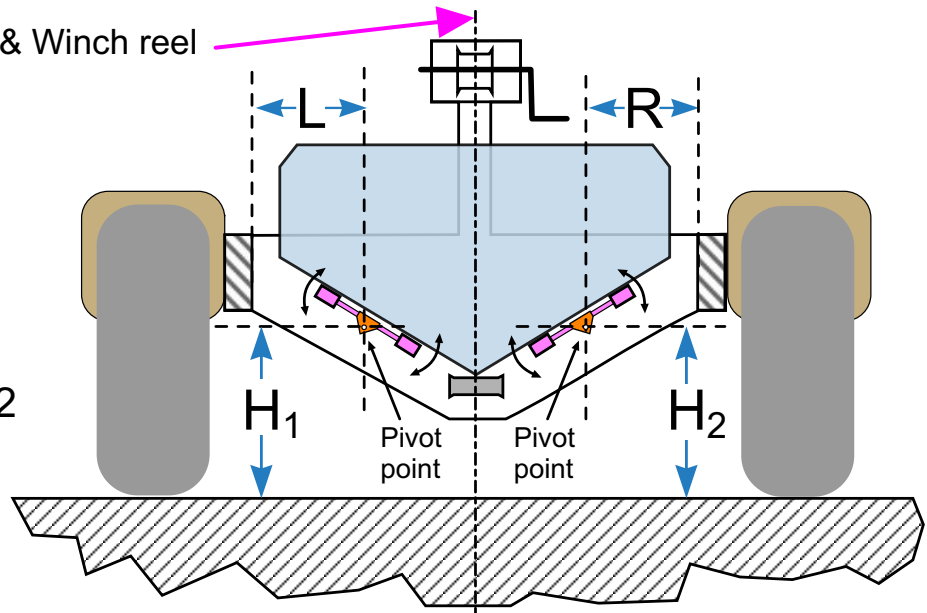
A Tip

- Release the winch.
The bow of the boat then should be lined up with
- tow point
 - middle of winch post
 - middle of the winch drum
 - middle of the roller/v-block
 - middle of bow of the boat

If not check with the tape measure and follow the procedure shown on the next page.

1 Alignment continued

Centre line of Trailer, Boat & Winch reel



Rule is:-

- (1) L equals R
- (2) H_1 equals H_2

Essentially the boat needs to travel down the centreline of the trailer, with proper support from each side.

When this is right it will also glide far more easily on & off.

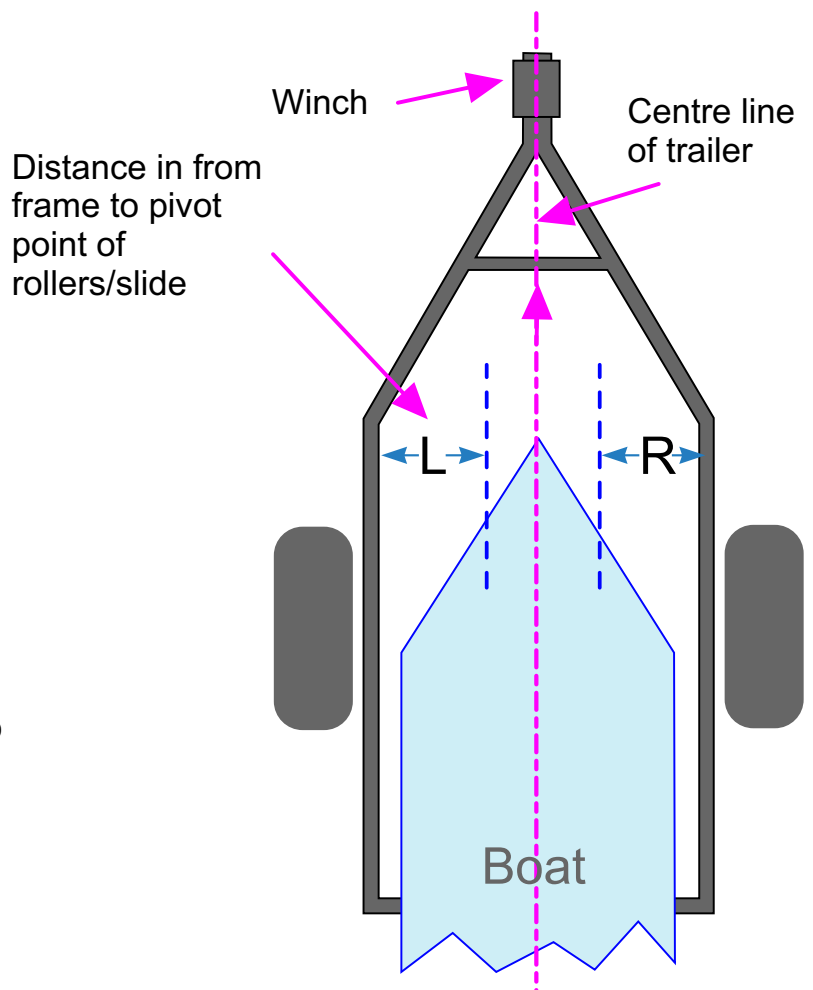
Make sure the trailer is on level ground.
The tires should be equally inflated.

The Boat must be 'aimed' down the Centre line of Trailer.

Measure in from the trailer frame to the Pivot point on each side (L & R), and the distance from the ground up to the Pivot points (H) of the rollers/slides.

Adjust so that $L=R$ and $H_1 = H_2$ if needed.

As the boat moves up the trailer's centreline it should be equally supported on each side.



2 Latch - Grease & Assembly



You must grease all contacting parts on assembly. Stainless steel will 'bind' badly if you do not lubricate. Need to use high quality grease (yes that awful black stuff).

The arm must be totally free to move with resistance otherwise it will not work properly.

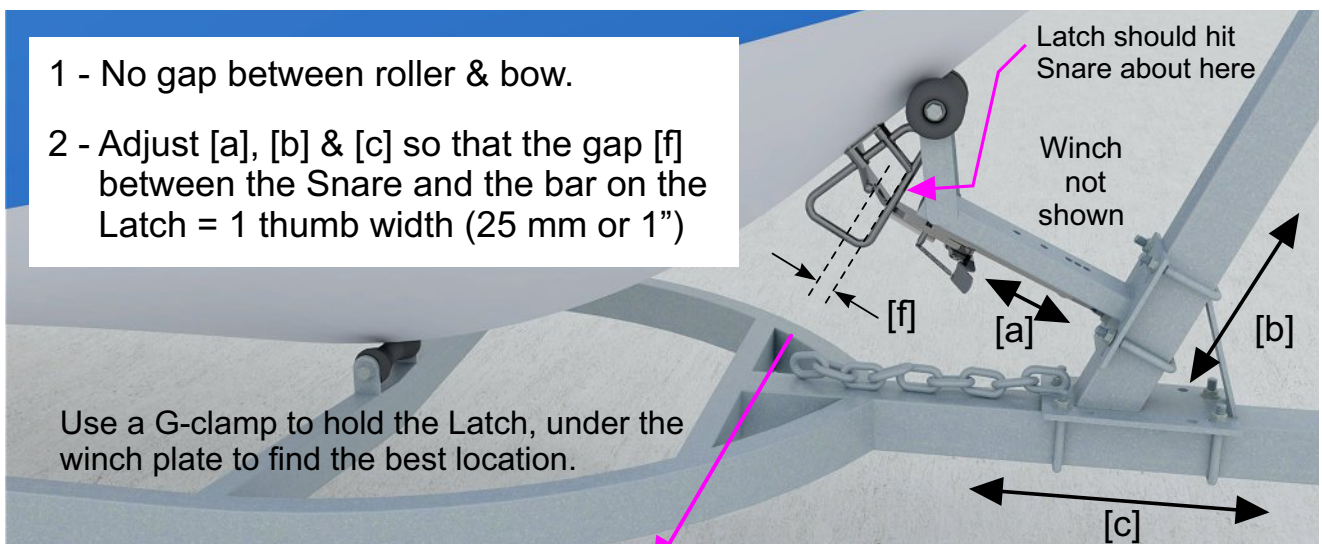
Note : Seizing Thread

Stainless has a bad habit of galling - it can lock up - seize!

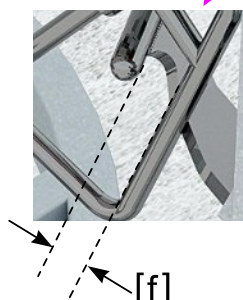
To avoid this use a lubricant. Loctite or Rocol Anti-seize, or moly grease even thin Teflon tape.

3 Adjusting the Latch relative to the Snare

Adjusting the Latch relative to the Snare - this should be OK if it was installed properly but may have been moved out of alignment if trailer alignment adjustments have altered.

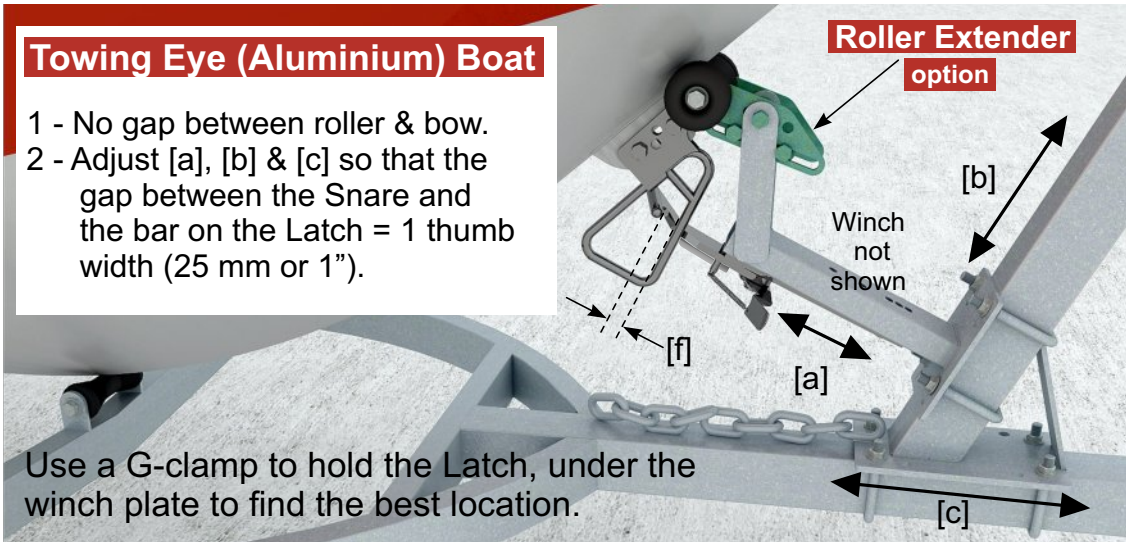


When roller/wedge is right up against the bow



[f]=1 thumb width (25 mm or 1")

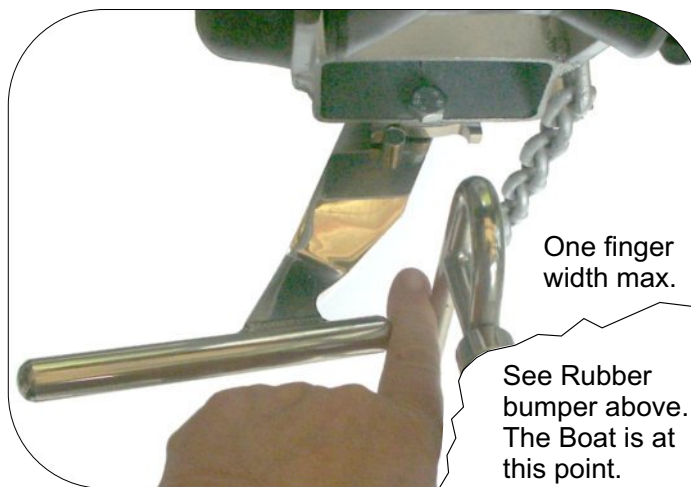
3 Adjusting the Latch Relative to the Snare ... continued



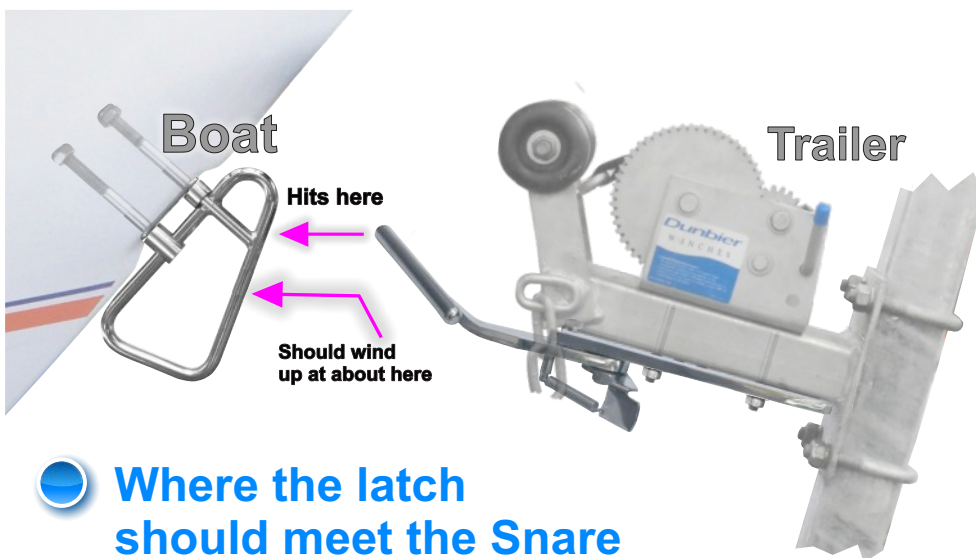
'Finger' Test [2]

The Latch should move aside to give a finger spacing as shown in the photo (right).

Note: the Snare, on the boat should be central. If it is not the boat may not be centrally aligned on the trailer. See Step (1).



See Rubber bumper above. The Boat is at this point.



Note the relative positions of the rubber roller/bumper, the point that the snare hits the latch, and the gap between the boat and the rubber roller/bumper.

Adjust the relative positions if required. See more info. under "Detail Install" on web site.

Where the latch should meet the Snare

4 Product Numbers & Bar Codes

L & R™ - U-Bolt (Fibreglass) Boat Latch with Snare

Model No. 111

Bar Code 9339153001116



L & R™ - Heavy Duty U-Bolt (Fibreglass) Boat Latch with Snare

Model No. 103

Bar Code 9339153001031



L & R™ - Towing Eye (Aluminium Boat) Boat Latch with Snare

Model No. 113

Bar Code

Bar Code 9339153001130



L & R™ Heavy Duty Towing Eye (Aluminium Boat) Boat Latch with Snare

Model No. 107

Bar Code 9339153001079



L & R™ - Boat Trailer Winch

Model No.801

Bar Code 9339153008016



L & R™ - Wedge Plate Kit Option

Model No. 081

Bar Code 9339153000812



L & R™ - Roller Extender Option

Model No. 083

Bar Code 9339153000836



L & R™ - U-Bolt (Fibreglass) Snare

Model No. 101

Bar Code 9339153001017



L & R™ - Heavy Duty U-Bolt (Fibreglass) Snare

Model No. 105

Bar Code 9339153001055



L & R™ - Towing Eye (Aluminium Boat) Boat Snare

Model No. 104

Bar Code 9339153001048



L & R™ - Heavy Duty Towing Eye (Aluminium Boat) Boat Snare

Model No. 106

Bar Code 9339153001062



L & R™ - Latch by itself

Model No.110

Bar Code 9339153001109



4 Product Numbers & Bar Codes

Export Packs applicable to USA & NZ

L & R™ - **U-Bolt (Fibreglass) Boat Latch with Snare**

Model No. 211

Bar Code 933915300**2116**



L & R™ - **Heavy Duty U-Bolt (Fibreglass) Boat Latch with Snare**

Model No. 203

Bar Code 933915300**2031**



L & R™ - **Towing Eye (Aluminium Boat) Boat Latch with Snare**

Model No. 213

Bar Code

Bar Code 933915300**2130**



L & R™ **Heavy Duty Towing Eye (Aluminium Boat) Boat Latch with Snare**

Model No. 207

Bar Code 933915300**2079**



Each of these Products above contains the following options

L & R™ - **Wedge Plate Kit Option**

Model No. 081

Bar Code 933915300**0812**



L & R™ - **Roller Extender Option**

Model No. 083

Bar Code 933915300**0836**



5 Latch Spare Parts

